



SLIDING GATES SYSTEMS.

G:B:D
CREATIVE AUTOMATIONS

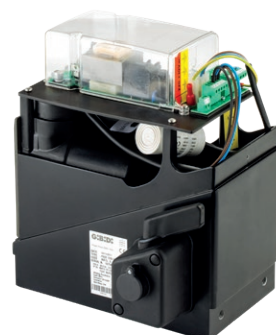
PASS 1200-1800-2500

230-380V

UP TO **2.500KG**



FOTO AUTOMATIC GATES



PASS 1200-1800-2500

230-380V UP TO 2.500KG

Irreversible electromechanical gearmotor in 230Vac and 380Vac three-phase for sliding gates of big size and weight (up to 2.500 Kg), for heavy use.

EASY TO INSTALL

Control unit in a very good position for the installer. Encoder technology for an easy self-learning set up. Possibility of adjustments on horizontal and vertical axis.

SILENT AND STRONG

Made with heat-treated gears, big size, completely in oil bath (1 kg of oil). Painted aluminium structure, that makes it reliable over time.

PERFORMING

Special motors in oil bath for the best yield even in case of heavy use, versions with mechanical double-disc clutch. New irreversible and anti-sliding gears.

TECHNOLOGICAL AND SAFE

Built-in control unit provided with all the inputs for safety devices, embedded encoder technology for a simple self-learning and the adjustment of the anti-crushing sensitivity. Highest safety level, as provided in EN 12453 standards.

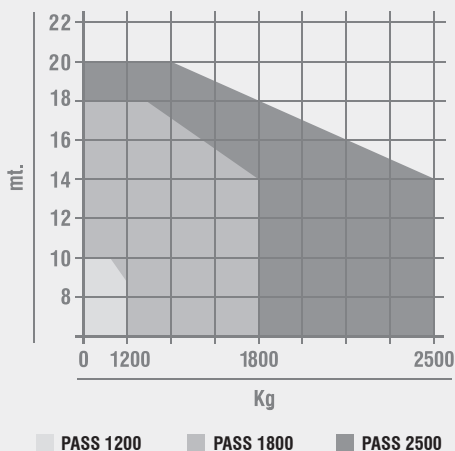
DESIGN

The most compact of its category, because of its direct horizontal motor, only 14 cm of thickness.

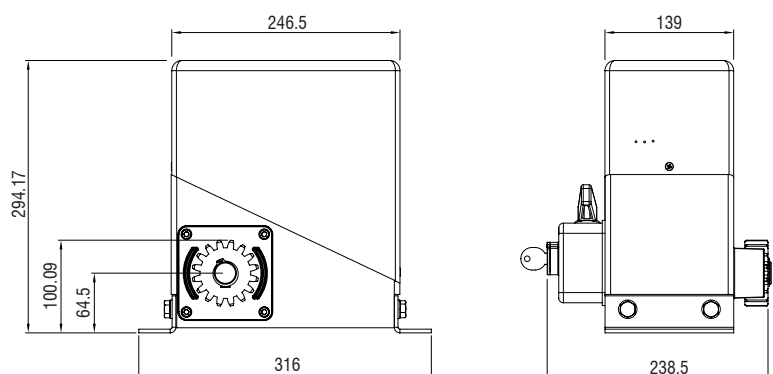
TECHNICAL FEATURES

| | PASS1200 | PASS1800 | PASS2500 |
|-----------------------|-----------------------|-----------------------|-----------------------|
| Type of use | HEAVY DUTY | HEAVY DUTY | HEAVY DUTY |
| Frequency of use | 90% | 60% | 70% |
| Motor power supply | 230 Vac - 50/60 Hz | 230 Vac - 50/60 Hz | 380 Vac/3 phase |
| Absorbed power | 700W | 700W | 750W |
| Protection degree | IP55 | IP55 | IP55 |
| Gate speed | 152 mm/s - Z = 16 M 4 | 152 mm/s - Z = 16 M 4 | 152 mm/s - Z = 16 M 4 |
| Max torque | 50 Nm | 60 Nm | 90 Nm |
| Adjustable torque | MECHANICAL/ELECTRONIC | MECHANICAL/ELECTRONIC | MECHANICAL |
| Adjustable speed | YES | YES | NO |
| Max gate weight | 1.200 Kg | 1.800 Kg | 2.500 Kg |
| Operating temperature | -20°C +60°C | -20°C +60°C | -20°C +60°C |
| Thermal switch | 140°C | 140°C | 140°C |
| Type of lubrication | OIL GBD PH-02 (1 Kg) | OIL GBD PH-02 (1 Kg) | OIL GBD PH-02 (1 Kg) |
| Weight of the unit | 15 Kg | 15 Kg | 15 Kg |

APPLICATION DIAGRAM



DIMENSIONS



G:B:D
CREATIVE AUTOMATIONS

G.I.B.I.D.I. S.r.l.
Via Abetone Brennero, 177/B
46025 Poggio Rusco (MN) - ITALY
Tel. +39.0386.52.20.11
Fax +39.0386.52.20.31
info@gibidi.com

www.gibidi.com

